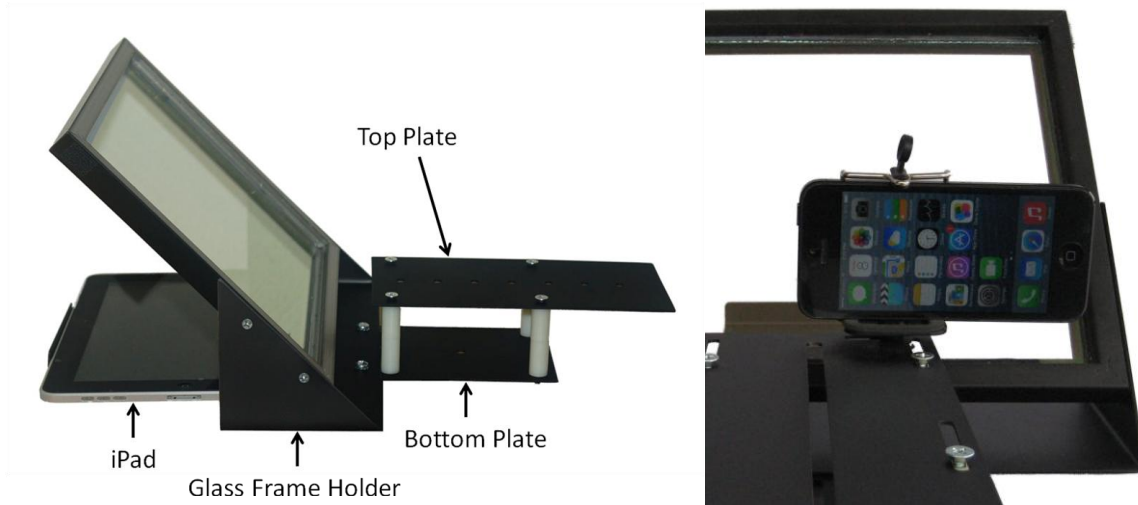


## Directions for Assembling the R810-10.1



Assembly is a simple process of attaching the Top Plate of the teleprompter to the Bottom Plate and attaching the Glass Frame Holder to the Bottom Plate. Using a Phillips head screwdriver is necessary, but using pliers or a 3/8 inch wrench is optional. Read through the instructions before attempting to assemble the teleprompter.

1. On the Top Plate, insert a 2 1/2 inch long screw into each of the four slots (Figure 1), and flip the plate upside down as shown. If you are going to attach an iPhone tripod adapter, slide the screws down to the opposite ends of the slots. In the end, this will orient the iPhone closer to the beam splitter glass.

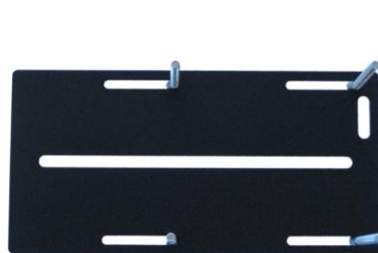


Figure 1

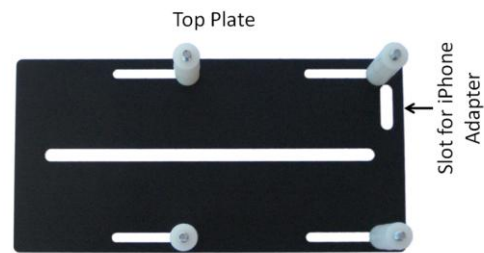


Figure 2

2. Place two white spacers on each screw (Figure 2). If you have a DSLR with a battery pack on the bottom of the camera or a Flip Camera, consider using only one spacer on each screw. This lowers the height of the lens.
3. Take the Bottom Plate, flip it upside down (so the bent lip faces down), and align the appropriate holes to the screws allowing the screws to go through the holes. Hand tighten the nuts onto the screws. Flip the unit over and use a Phillips head screwdriver to tighten the nuts onto the screws. See Figure 3. You may consider using pliers or a 3/8 inch wrench to hold the nuts in place during this process, although it is not necessary.



Figure 3

4. Attach the teleprompter to the tripod using the slot on the Bottom Plate using the provided wing nut. If you are using a small camera, then attach it with the tripod closer to the front of the teleprompter. If you are using a larger camera, then attach it with the tripod closer to the back of the teleprompter. This helps balance the teleprompter on the tripod.
5. Attach the framed glass to the Glass Frame Holder. See top of the first page. The beam splitter glass has a reflective side and a non-reflective side. The reflective side is placed on the smooth/finished side of the frame. The non-reflective side is on the rough/unfinished side of the frame. You want the reflective side to face the tablet and the non-reflective side to face the camera. Lay the frame holder flat and place framed glass between the upward sides. Use the information above to orient the frame/glass facing the correct direction. The framed glass may be slightly larger than the frame holder. This is acceptable. Turn the frame holder on one side and line up the frame holder's holes with the pre-drilled holes on the framed glass. Screw the screws into all three holes. Flip the frame holder over and repeat the process.
6. Attach the Glass Frame Holder onto the Bottom Plate. Line up the holes on the Glass Frame Holder with the with the holes on the Bottom Plate. Insert the 3/8 inch long screws through the holes. Screw the nuts onto the screws. Use the Phillips head screwdriver to tighten the nuts onto the screws.

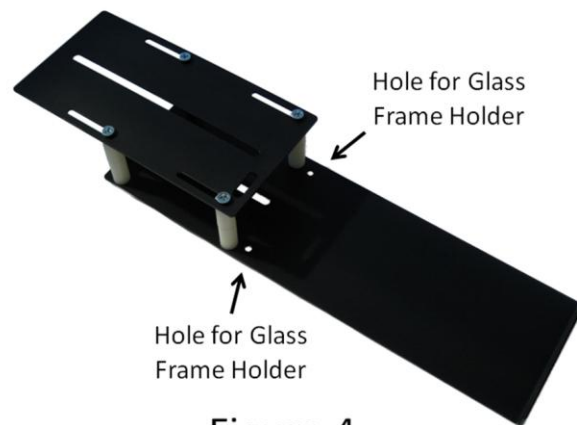


Figure 4

7. Attach the camera to the Top Plate using the provided wing screw. Position the camera so the lens is close to the glass. If the wing screw is too long, add one or both of the provided washers to the wing screw before inserting it through the slot and connecting the camera. If you are using an iPhone adapter, attach the adapter to the 1 inch slot (see Figure 2) that runs parallel to the glass using both washers. The bracket should be oriented so it is between the iPhone and glass. This provides access to the phone's interface. You can adjust the iPhone in the bracket as well as adjust the bracket. Position the iPhone in the bracket so its camera is in the middle of the glass from right to left.
8. Secure the black cape to the teleprompter by lining-up the Velcro tabs on the cape with those on the sides of the frame that holds the glass.
9. Place your iPad, iPhone, Android tablet, Smartphone, Microsoft Surface, etc. on the front of the Bottom Plate. See the photo at the top of the first page.

Go to [Interactmedia.net](http://Interactmedia.net) to learn more. If you have questions, contact Scott at 248-660-4984. Thank you for your purchase.